

harman/kardon

guide + play™

# WIRELESS REMOTE INSTRUCTIONS

## MOUNTING THE CONTROL KNOB

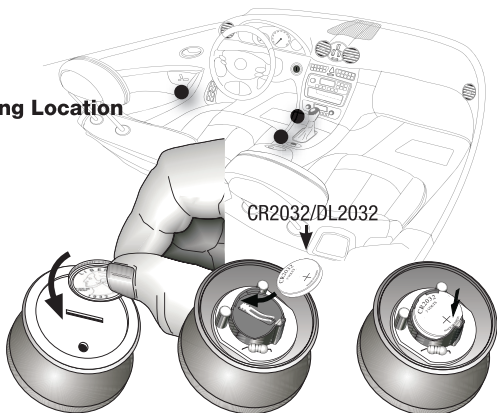
1

Select Mounting Location

2

Install Battery

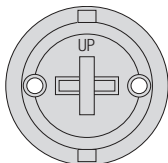
Use a coin to remove the bottom cover



3

Mount Control Knob Base

Toward front of car



Orient the base so that the arrow is facing the front of the car.

You can either screw the base to the mounting location or use the supplied adhesive pad.

If you use the adhesive pad, you must FIRST CLEAN the surface with the supplied alcohol cleaning pad.

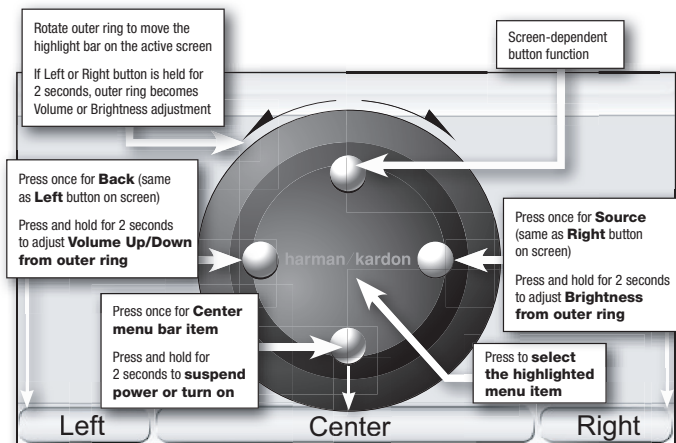
4

Attach Control Knob to Base



Push the knob down onto the base, and turn clockwise to lock it into place. The knob can be removed by turning the bottom counterclockwise.

## CONTROL KNOB BUTTON OPERATION



## BINDING THE CONTROL KNOB

Press the top, center and right buttons simultaneously, then place the navigation system less than 1 foot away from the wireless remote. Press the center button on the wireless remote repeatedly until the remote binds. If the control knob is unresponsive, try a fresh CR2032-type battery.

Harman Kardon is a trademark of Harman International Industries, Incorporated, registered in the United States and/or other countries. Harman Kardon Guide + Play is a trademark of Harman International Industries, Incorporated.

Harman Kardon, Northridge, CA USA

© 2007 Harman International Industries, Incorporated. All rights reserved.

**H** A Harman International Company